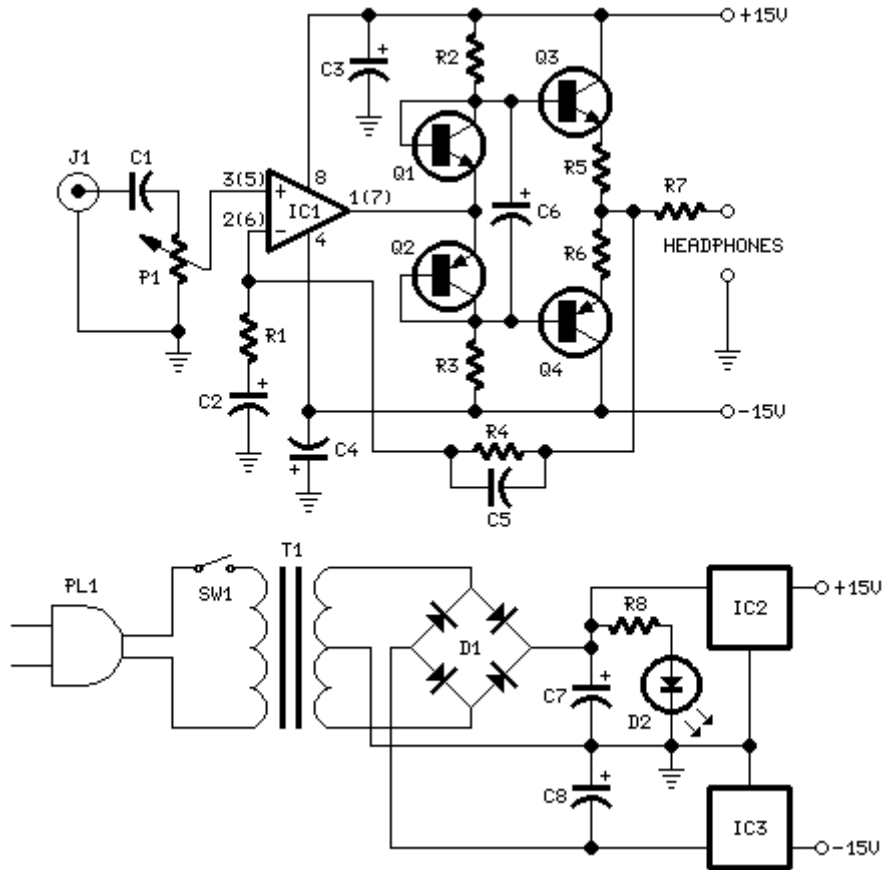


# 耳機放大器-0P 及晶體合用

喬治查爾斯電子電路網

<http://home.gigaga.com/georgeliao/index.htm>



## 零件列表:

### 功率放大部份:

P1.....22K-A(立體聲使用雙連型)

R1.....560R

R2,R3.....10K

R4.....2K

R5,R6.....2R2

R7.....22R 1/2W

C1.....1 $\mu$ F/63V

C2,C3,C4.....100 $\mu$ F/25V

C5.....22pF/63V

C6.....22 $\mu$ F/25V

IC1.....LM833 or NE5532 Low noise Dual Op-amp

Q1,Q3.....BC337/45V 800mA NPN Transistors

Q2,Q4.....BC327/45V 800mA PNP Transistors

J1.....RCA audio input socket

### 電源部份:

R8.....2K2

C7,C8.....2200 $\mu$ F/25V/

D1.....100V 1A 橋式整流

D2.....5mm. or 3mm. Red LED

IC2.....7815/15V 1A 穩壓 IC

IC3.....7915/15V 1A 穩壓 IC

T1.....110V Primary, 15 + 15V Secondary 5VA Mains transformer

PL1.....Male Mains plug

SW1.....SPST Mains switch